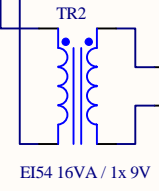
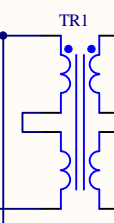
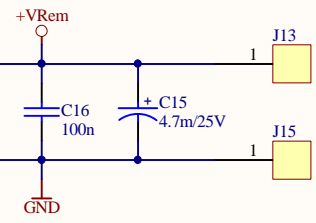


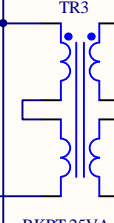
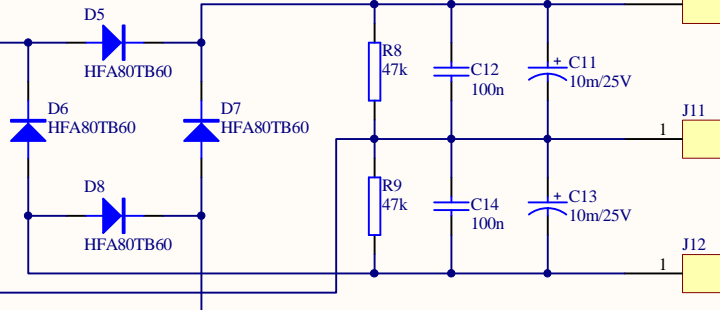
AC Power
ACPower.SchDoc



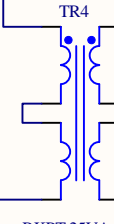
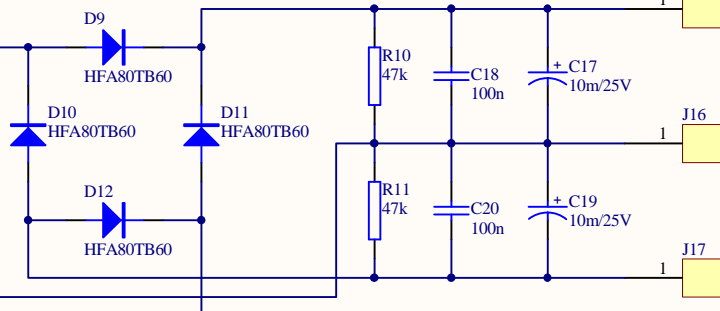
Power Supply Control



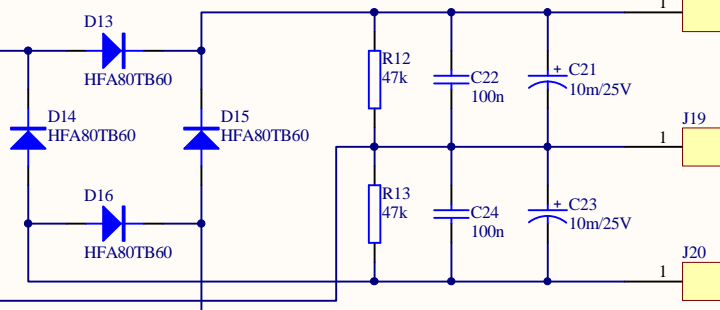
Power Supply Left High Pass Filter



Power Supply Right High Pass Filter



Power Supply Low Pass Filter



Title			AFW2 Power Supply		
Size	Number	Revision		0	
A4	RStA0021				
Date:	08.07.2010	Sheet of			
File:	C:\User\...LRTransformer.SchDoc	Drawn By:		Ralph Stens	