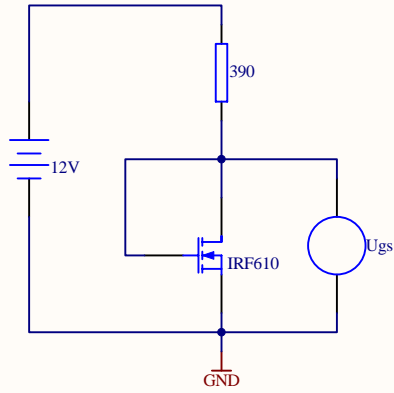
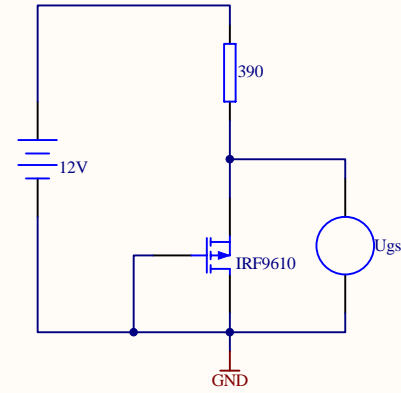


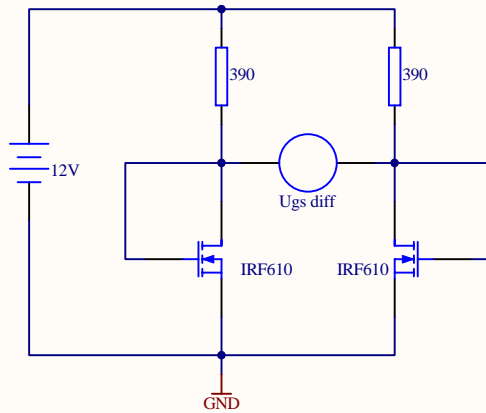
**n-Kanal Ugs Messung**



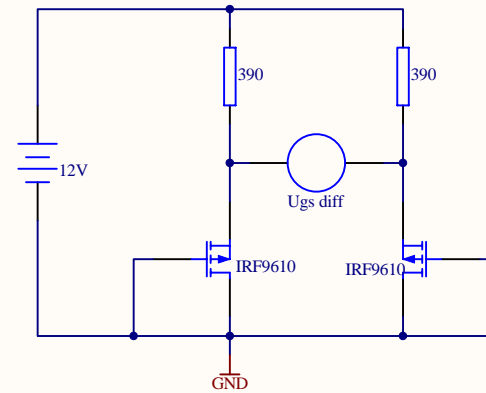
**p-Kanal Ugs Messung**



**n-Kanal differentielle Ugs Messung**



**p-Kanal differentielle Ugs Messung**



Title			<b>Aleph P - MOSFET Selection</b>		
Size	Number		Revision		<b>0</b>
A4					
Date:	04.04.2005		Sheet of		
File:	D:\User\...\MosFetSelect.SCHDOC		Drawn By:		Ralph Stens