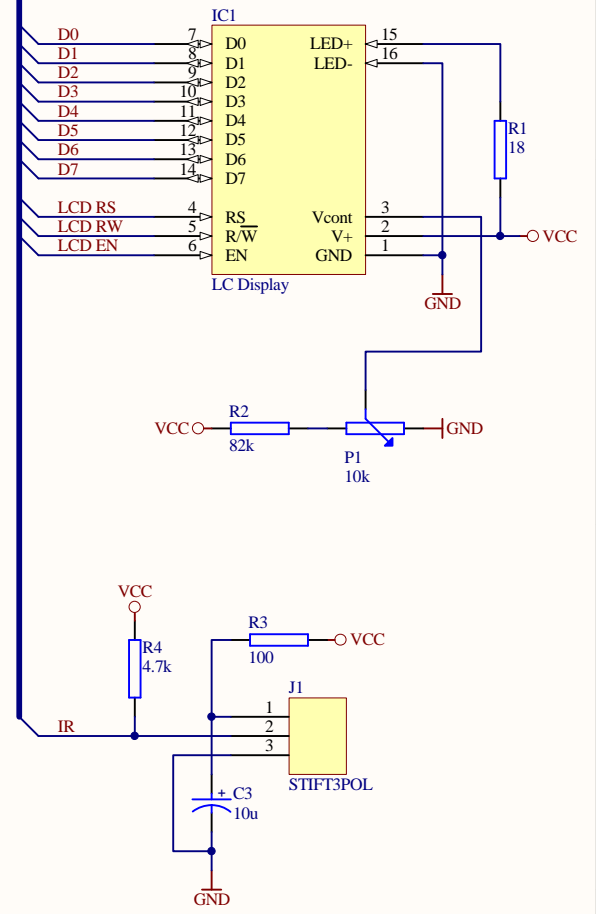


LC-Display / EA E202-CNLW



Rev. 1: RP5 included  
4 additional Pads for the Display to use a connector (PCB only)

|                                   |                                    |                       |
|-----------------------------------|------------------------------------|-----------------------|
| Title                             |                                    |                       |
| <b>VV5 Preamp - uC Controller</b> |                                    |                       |
| Size<br>A4                        | Number<br><b>RStA0026.2</b>        | Revision<br>1         |
| Date:                             | 09.07.2012                         | Sheet of              |
| File:                             | C:\User\Layout\RStA0026\CPU.SchDoc | Drawn By: Ralph Stens |