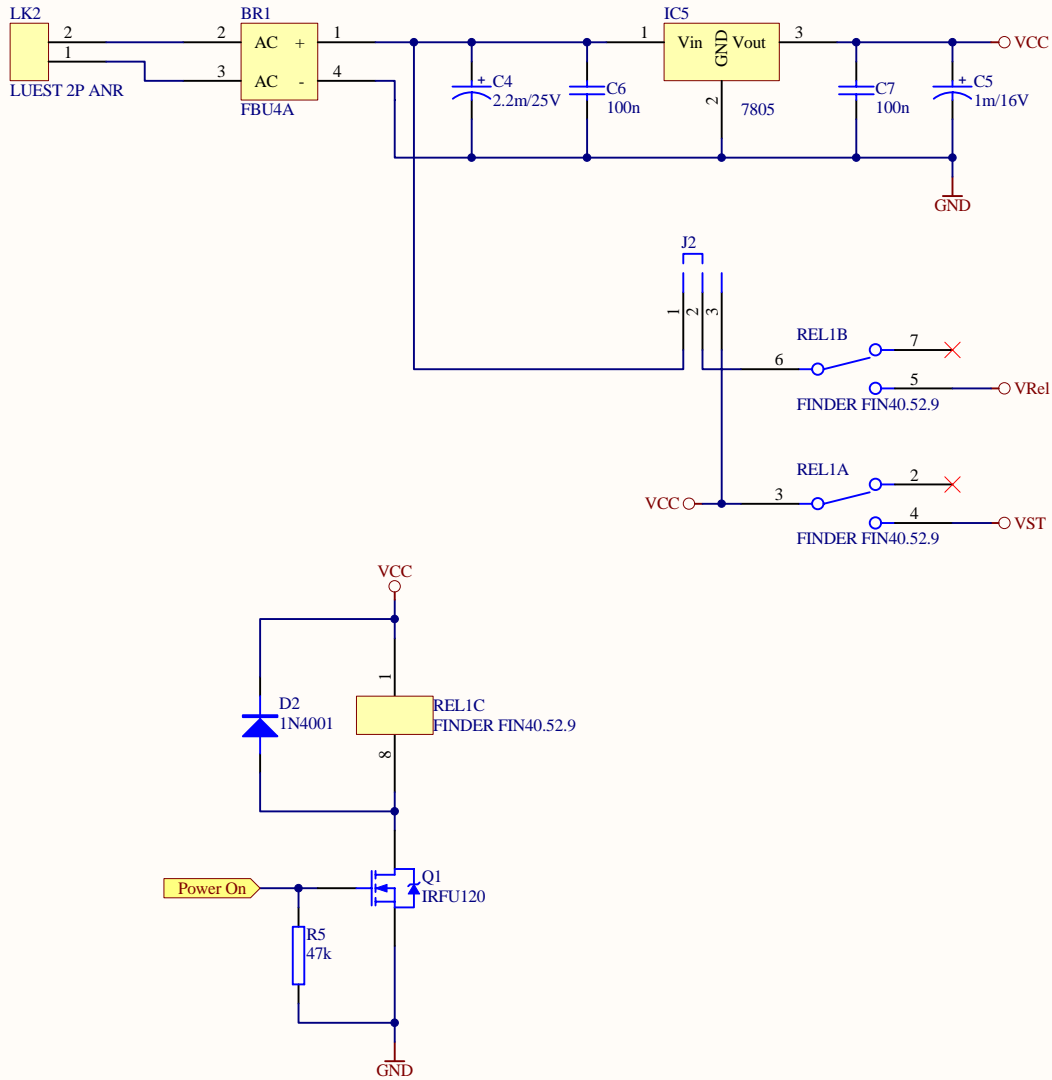
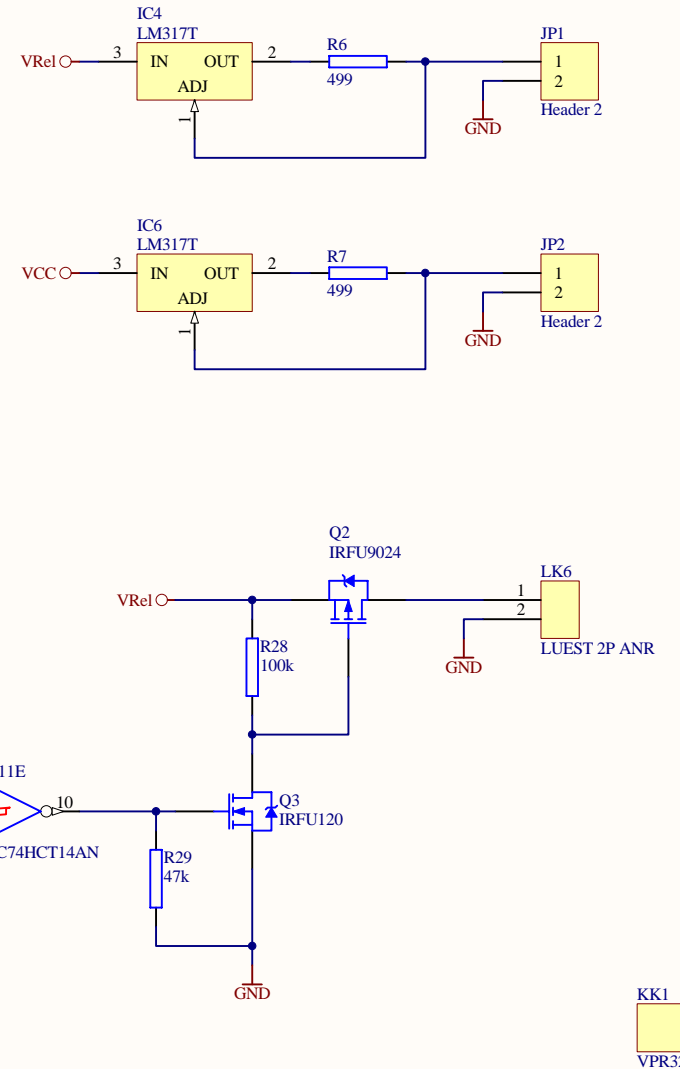


### Logic Power Supply



### LED Current Sources



|  |                                   |                              |
|--|-----------------------------------|------------------------------|
| Title  |                                   |                              |
| <b>VV4 - Control Circuit / Power Supply &amp; Stand By</b> |                                   |                              |
| Size   | Number                            | Revision                     |
| A4   |                                   | <b>0</b>                     |
| Date:  | 01.06.2007                        | Sheet of                     |
| File:  | D:\User\...\CPUPowerSupply.SchDoc | Drawn By: <b>Ralph Stens</b> |

KK1  
VPR32