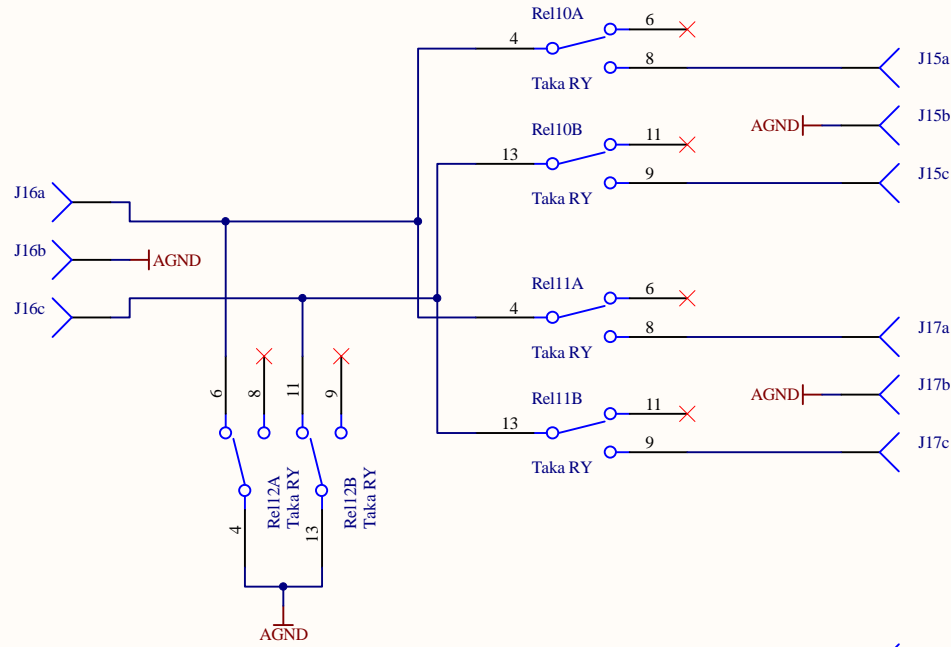
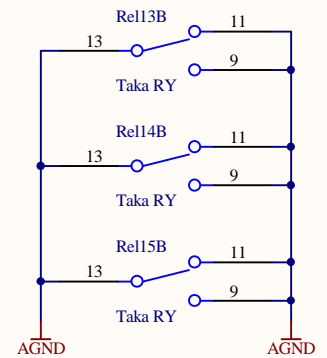
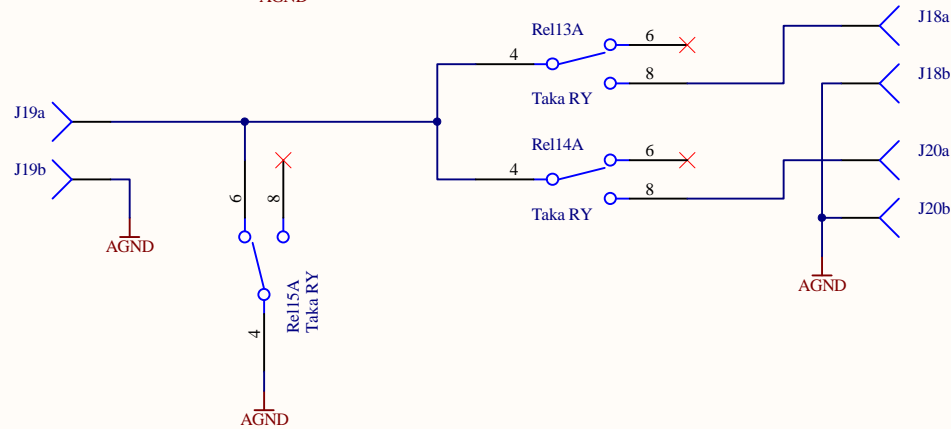


Diff Preamp out



SE Preamp out



Title			VV5 Preamp - Analog IO Board / Output Relays		
Size	Number	Revision		0	
A4	RStA0026.6				
Date:	28.03.2012	Sheet of			
File:	C:\User\...\OutputSwitch.SchDoc	Drawn By:	Ralph Stens		