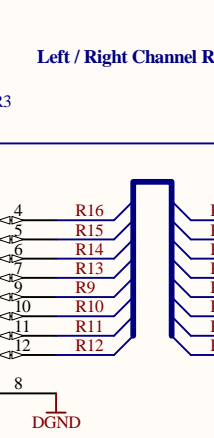
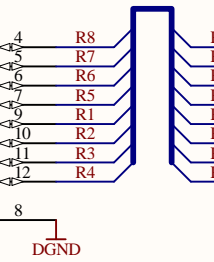
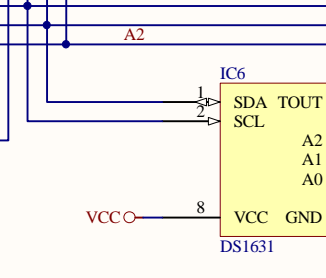
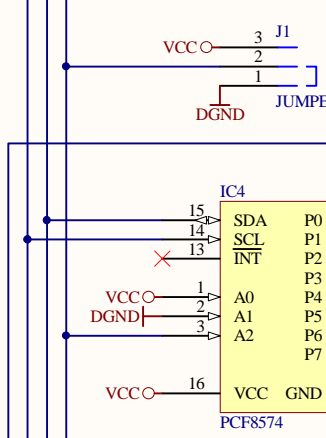
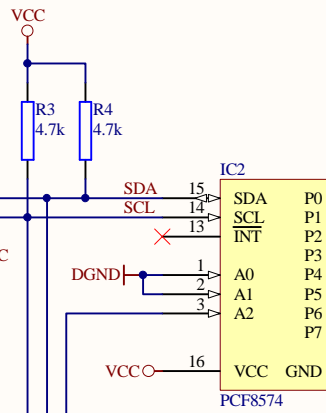
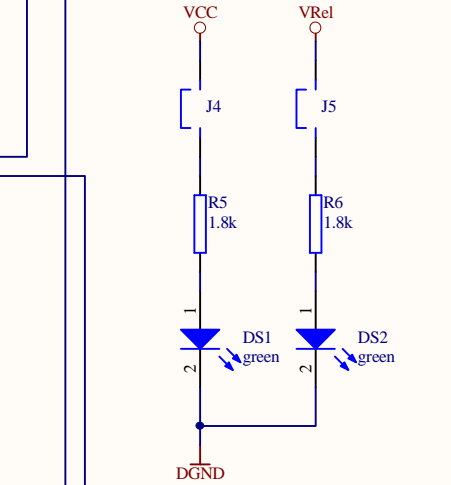
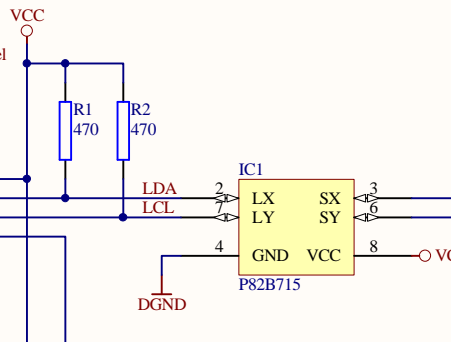
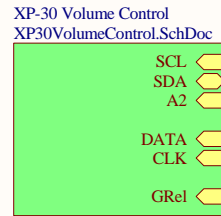
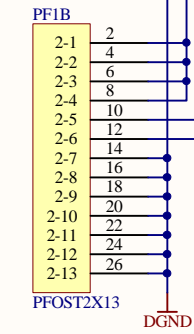
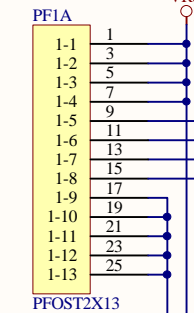


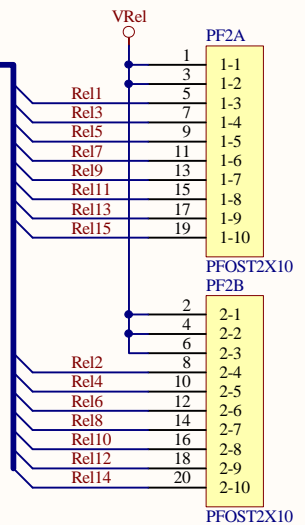
Control Module Input



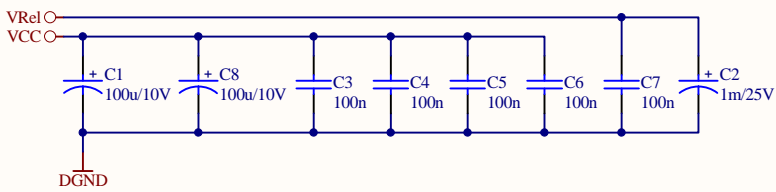
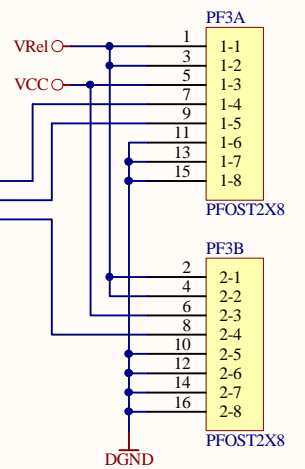
Left / Right Channel Receiver

I2C Bus Address				Comment
J1	IC2	IC4	IC6	
1-2	0x40	0x42	0x92	Left Channel
2-3	0x48	0x4A	0x9A	Right Channel

In/Out Board Relay



XOno Relay



Title				VV5 Preamp - XP-30 I2C-Bus Receiver Board	
Size	A4	Number	RStA0026.13		Revision
Date:	19.11.2012		Sheet of		0
File:	C:\User\...\XP30I2CReceiver.SchDoc		Drawn By:		Ralph Stens