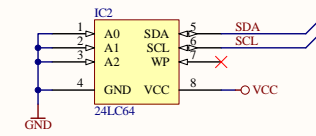
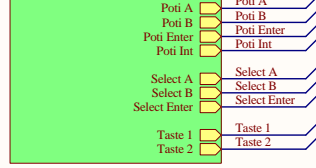
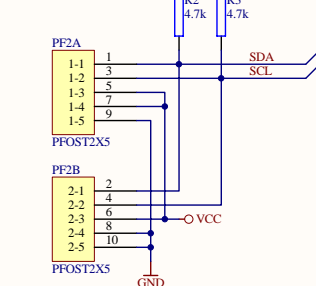


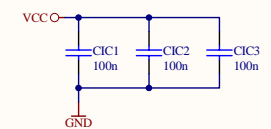
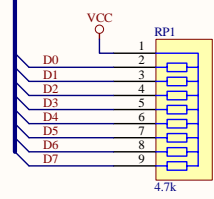
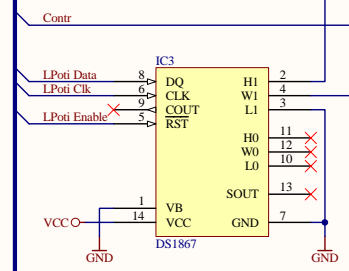
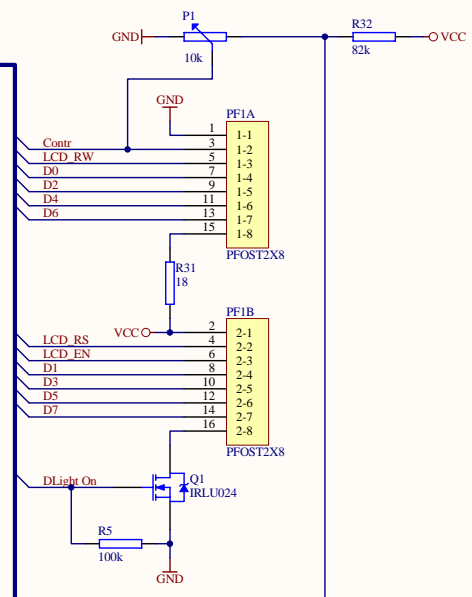
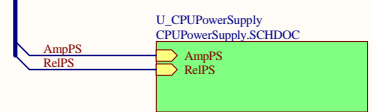
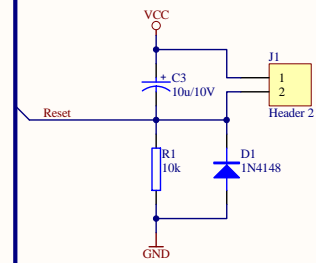
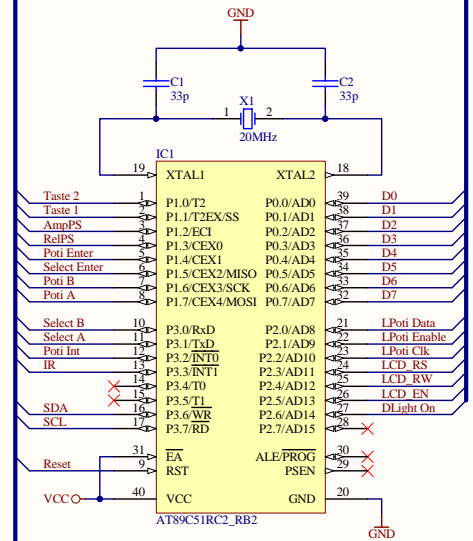
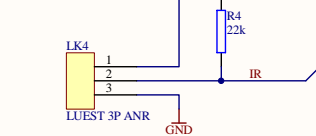
U\_EncoderInput  
EncoderInput.SchDoc



I2C-Bus Erweiterung



TSOP17xx IR-Interface



Title		
Aleph P V1.7 - Control Circuit		
Size	Number	Revision
A3		1
Date:	04.04.2005	Sheet of
File:	D:\User\...\ControlCpu.SchDoc	Drawn By:
		Ralph Stens